

Product availability : Stock - Normally stocked in distribution facility



Price* : 818.00 USD



Main

| | |
|---------------------------|---|
| Range of product | Modicon X80 |
| Product or component type | Power supply module |
| Product compatibility | Not compatible with BMEXBP..02 |
| Primary voltage | 100...240 V |
| Supply circuit type | AC |
| Secondary power | 15 W 3.3 V DC I/O module logic power supply 21.6 W 24 V DC sensor power supply 31.2 W 24 V DC I/O module power supply and processor |

Complementary

| | |
|--------------------------------|---|
| Primary voltage limit | 85...264 V |
| Network frequency | 50/60 Hz |
| Network frequency limits | 47...63 Hz |
| Apparent power | 0.07 kVA |
| Input current | 0.52 A 240 V 1.04 A 115 V |
| Inrush current | <= 30 A 120 V <= 60 A 240 V |
| I ² t on activation | <= 1 A ² .s 120 V <= 3 A ² .s 240 V |
| It on activation | <= 0.05 A.s 120 V <= 0.07 A.s 240 V |
| Protection type | Internal fuse not accessible primary circuit Overload protection secondary circuit Overvoltage protection secondary circuit Short-circuit protection secondary circuit |
| Current at secondary voltage | 0.9 A 24 V DC sensor power supply 1.3 A 24 V DC I/O module power supply and processor 4.5 A 3.3 V DC I/O module logic power supply |
| Power dissipation in W | <= 8.5 W |

Disclaimer: This documentation is not intended as a substitute for and is not to be used for determining suitability or reliability of these products for specific user applications

| | |
|-----------------------|--|
| Status LED | 1 LED green rack voltage OK 1 LED green sensor voltage |
| Control type | RESET push-button cold restart |
| Electrical connection | 1 connector 2 pin(s) alarm relay 1 connector 5 pin(s) line supply, protective earth, 24 V DC input sensor |
| Insulation resistance | >= 100 MOhm primary/ground >= 100 MOhm primary/secondary |
| Product weight | 0.79 lb(US) (0.36 kg) |

Environment

| | |
|---------------------------------------|--|
| Immunity to microbreaks | <= 1 ms |
| Dielectric strength | 1500 V primary/ground 1500 V primary/secondary I/O module logic power supply 1500 V primary/secondary I/O module power supply and processor 2300 V primary/secondary sensor power supply 500 V 24 V sensor output/ground |
| Vibration resistance | 3 gn |
| IP degree of protection | IP20 |
| Product certifications | CE CSA UL RCM Merchant Navy EAC |
| Standards | EN/IEC 61131-2 EN/IEC 61010-2-201 UL 61010-2-201 CSA C22.2 No 61010-2-201 |
| Ambient air temperature for storage | -40...185 °F (-40...85 °C) |
| Ambient air temperature for operation | 32...140 °F (0...60 °C) |
| Relative humidity | 5...95 % without condensation 55 °C |
| Protective treatment | TC |
| Operating altitude | 0...6561.68 ft (0...2000 m) 2000...5000 m (with derating factor) |

Ordering and shipping details

| | |
|-----------------------|----------------------|
| Category | 18160 - MODICON M340 |
| Discount Schedule | PC34 |
| GTIN | 00785901477013 |
| Nbr. of units in pkg. | 1 |
| Package weight(Lbs) | 1.0800000000000001 |
| Returnability | Y |
| Country of origin | ID |

Offer Sustainability

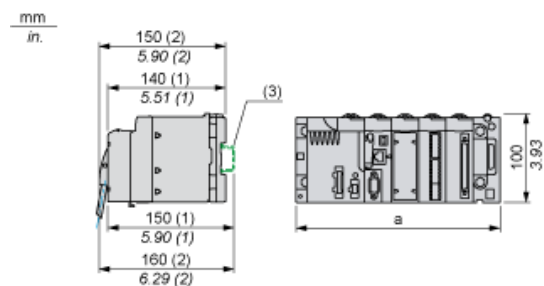
| | |
|----------------------------------|---|
| Sustainable offer status | Green Premium product |
| RoHS (date code: YYWW) | Compliant - since 0722 - Schneider Electric declaration of conformity Schneider Electric declaration of conformity |
| REACH | Reference not containing SVHC above the threshold Reference not containing SVHC above the threshold |
| Product environmental profile | Available |
| Product end of life instructions | Available |

Contractual warranty

| | |
|-----------------|-----------|
| Warranty period | 18 months |
|-----------------|-----------|

Modules Mounted on Racks

Dimensions

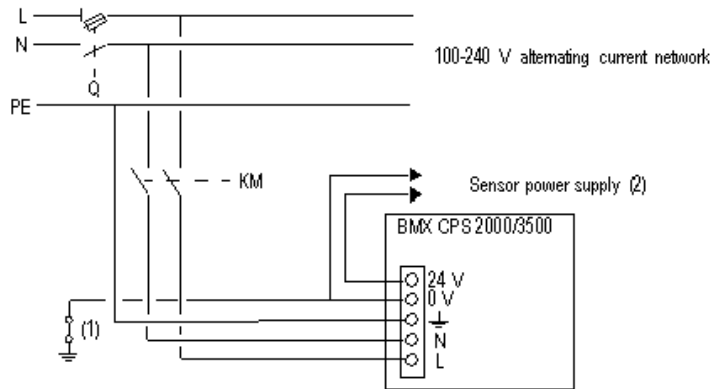


- (1) With removable terminal block (cage, screw or spring).
- (2) With FCN connector.
- (3) On AM1 ED rail: 35 mm wide, 15 mm deep. Only possible with BMXXBP0400/0400H/0600/0600H/0800/0800H rack.

| Rack references | a in mm | a in in. |
|----------------------------|---------|----------|
| BMXXBP0400 and BMXXBP0400H | 242.4 | 09.54 |
| BMXXBP0600 and BMXXBP0600H | 307.6 | 12.11 |
| BMXXBP0800 and BMXXBP0800H | 372.8 | 14.68 |
| BMXXBP1200 and BMXXBP1200H | 503.2 | 19.81 |

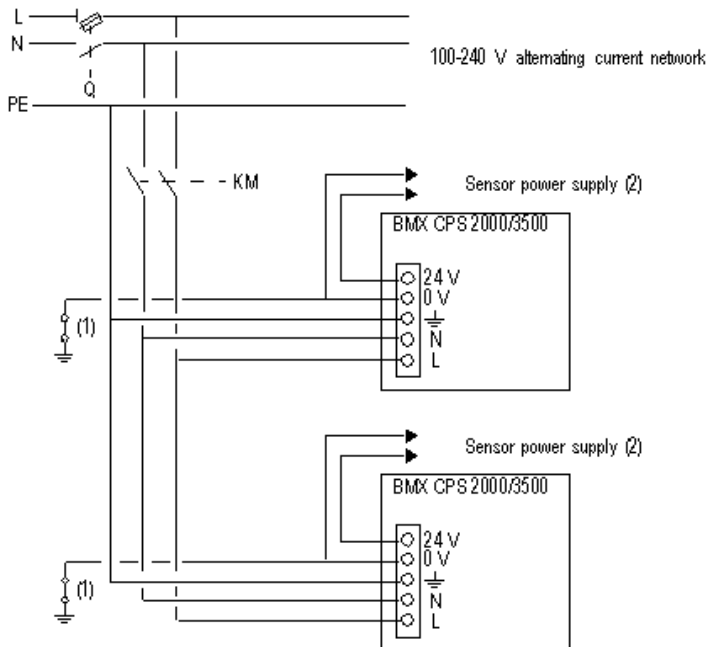
Connection of Alternating Current Power Supply Modules

Connection of a PLC Station Constituted of a Single Rack



- Q General isolator
- KM Line contactor or circuit breaker
- (1) Insulation connector bar for locating grounding errors
- (2) Available current of 0.45 A for the BMXCPS2000 module or 0.9 A for the BMXCPS3500 module

Connection of a PLC Station Constituted of Several Racks



- Q General isolator
- KM Line contactor or circuit breaker
- (1) Insulation connector bar for locating grounding errors
- (2) Available current of 0.45 A for the BMXCPS2000 module or 0.9 A for the BMXCPS3500 module