

Bailey network 90[®]

I/O Power Supply NPSIO□

WARNING

DO NOT INSTALL, MAINTAIN OR OPERATE THIS EQUIPMENT WITHOUT READING, UNDERSTANDING AND FOLLOWING PROPER Bailey Controls INSTRUCTIONS AND MANUALS, OTHERWISE INJURY OR DAMAGE MAY RESULT.

AVERTISSEMENT

NE PAS METTRE EN PLACE, REPARER OU FAIRE FONCTIONNER CE MATERIEL SANS AVOIR LU, COMPRIS ET SUIVI LES INSTRUCTIONS REGLEMENTAIRES DE Bailey Controls TOUTE NEGLIGENCE A CET EGARD POURRAIT ETRE UNE CAUSE D'ACCIDENT OU DE DEFAILLANCE DU MATERIEL.

Receiving, Handling and Storage

Upon receipt, the unit should be examined for possible damage in transit. If damage is found or if there is any evidence of rough handling, a damage claim should be filed with the responsible transportation company and the nearest Bailey Sales Office should be notified.

Storage should make use of original packing material and container. The storage environment should be protected and should be free of all environmental extremes, including temperature, moisture and air quality conditions.

Description

The I/O Power Supplies mount in the I/O Power Panel (Product Instruction E93-909-3). These power supplies provide 24 V dc and/or 125 V dc which is used to power controller outputs, two-wire transmitters, field contacts and Digital Control Stations.

Nomenclature and part numbers for the I/O Power Supplies are given in Table A.

Nomenclature	Output Power	Line Voltage, Frequency	Part Number
NPSI03	24/125 V dc	120/240 V ac, 50/60 Hz. source	1947316-024
NPSI04	24/125 V dc	120/240 V ac, 50/60 Hz. source	1947316-125

Bailey

Seamless, Real-Time
Process Management
Solutions

Product Instruction

E93-909-5

Input Voltage and Frequency Selection on NPSI03/NPSI04 Models

1. Remove flat head screws and separate case halves.
2. Locate internal terminal connection plate.
3. Change jumper positions for desired input voltage and frequency. Refer to Figure 1 which shows jumper positions.
4. Position C1 and CR1 leads per Table B and Figure 2.
5. Replace case halves and screw together.
6. Replace 3.5 amp fuse (F1) with 7-amp fuse. 7 amp fuse is shipped with the unit.

	C1 Lead to	CR1 Lead to
50 Hz	8	11
60 Hz	7	10

TABLE B — Position of C1 and CR1 Leads for 50/60 Hz Operation

Fuse Rating and Type			
Fuse F1	Input	240 V ac* 120 V ac	3.5 A(MDA or equal) 7.0 A (MDA or qual)
Fuse F2	Output	24 V dc 125 V dc	15 A (ABC or equal) 4 A (ABC or equal)

*Units are shipped with 3.5 A fuse for 240 V ac operation.

TABLE C — I/O Power Supply Fuse Requirements

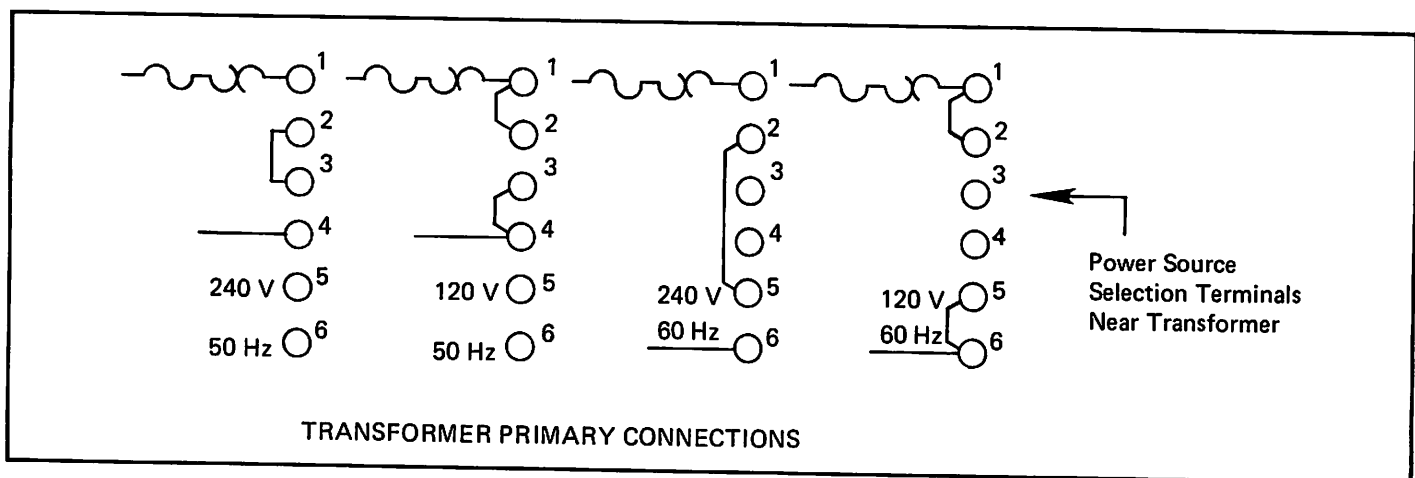


FIGURE 1 — Voltage Source Selection for Type NPSI03/04 Power Supplies

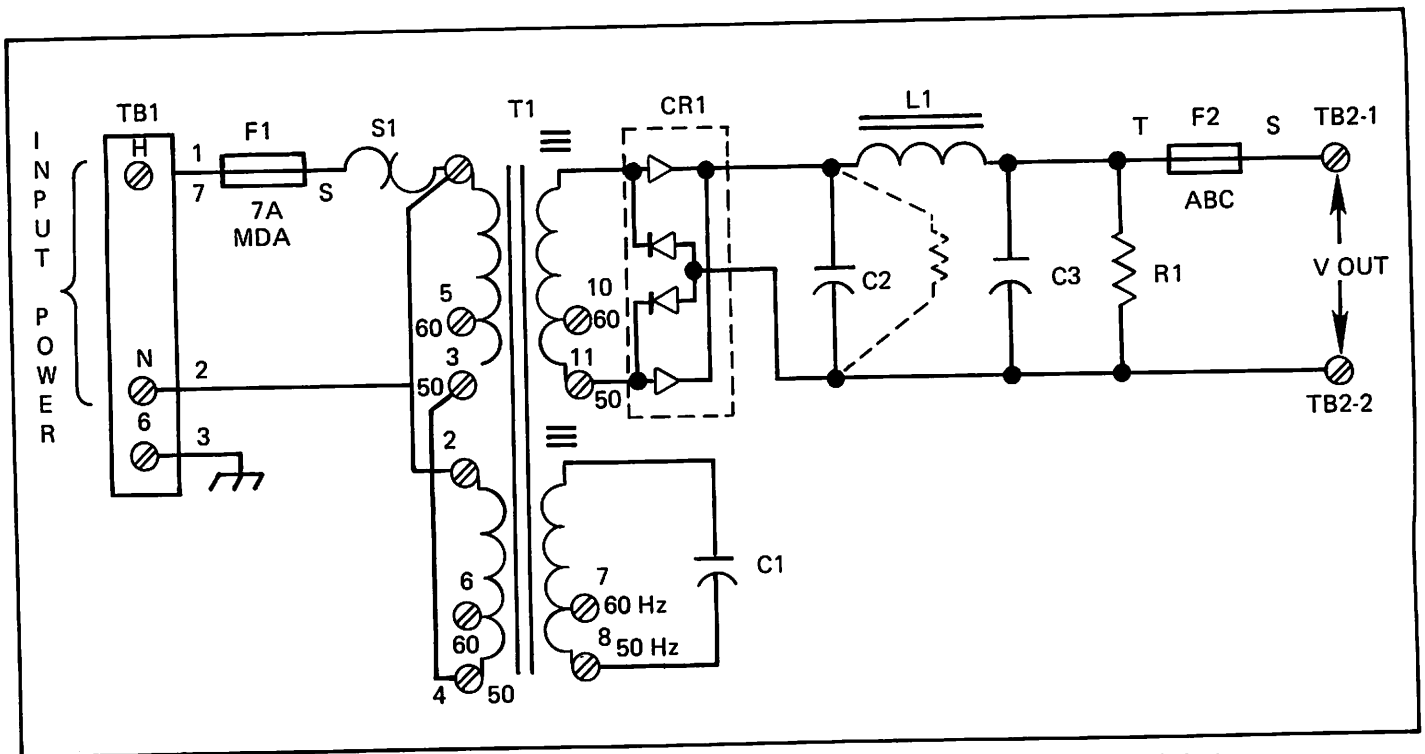


FIGURE 2 — NPSI03/04 Schematic Showing Adjustments Needed for 50/50 Hz Selection

Specifications

Voltage	102 to 132 V ac or 204 to 264 V ac
Frequency	50/60 \pm 2 Hz
Harmonic Distortion	\pm 3 %
Maximum Interruption	0.5 cycle
Maximum Line Noise	\pm 100% of line amplitude for 2 usec once every half cycle
Normal and Inrush Currents and Power Factor	See Table D.
Environment	
Ambient Temperature	32° to 131°C (0° to 55°C)
Relative Humidity	0 to 95%

SPECIFICATIONS SUBJECT TO CHANGE WITHOUT NOTICE.

Nomen.	Inrush* Amps	Run Current Amps	Watts (Max)	Power Factor	Max Load @ 55°C	
					24 V	125 V
NPSI03	100	4.34	520.8	0.8	10.9A	2.4A
NPSI04	100	5.04	604.8	0.8	10.9A	2.4A

*Approximate first cycle peak values listed. The inrush lasts a maximum of 1.5 seconds. These inrush values are dependent upon capacity of the distribution system.

TABLE D — Normal and Inrush Currents and Power Factor

For a complete list of licensees, representatives and affiliates in over 50 countries worldwide, contact . . .

Bailey Controls Company

29801 Euclid Avenue • Wickliffe, Ohio 44092 U.S.A. • (216) 585-8500
Telex: 980621 • Telefax: (216) 585-8756 or (216) 943-4609