

## 32-Point Current Input Term Panels

This section describes 32-point current input term panels. Model numbers of these term panels are:

- 9750-210 (current input, 0-5 VDC, basic, 32 pts.)
- 9760-210 (current input, 0-5 VDC, 32 pts.)
- 9760-410 (current input, 0-10 VDC, 32 pts.)
- 9765-210 (3-wire current input, 0-5 VDC, 32 pts.)

This figure represents a typical 32-point current input basic panel.

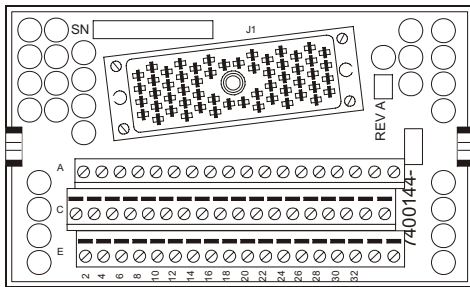


Figure 148 Typical 32-Point Current Input Basic Term Panel

This figure represents a typical 32-point current input termination panel.

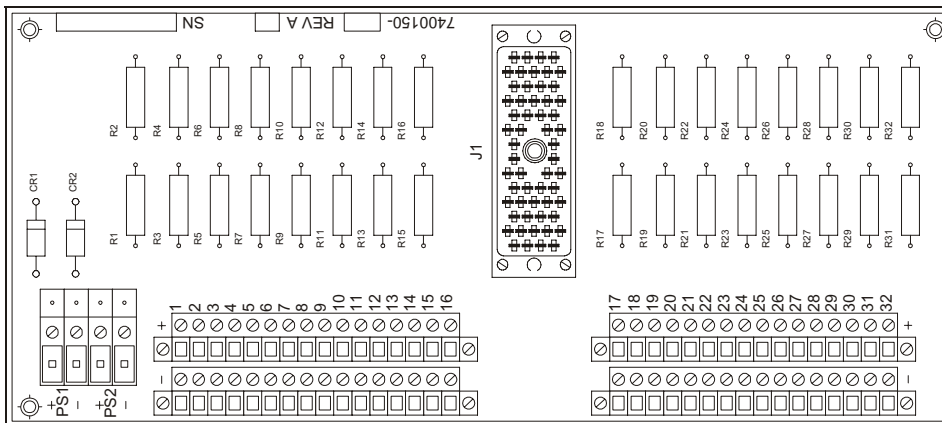


Figure 149 Typical 32-Point Current Input Term Panel

## 9750-210 (current input, 0-5 VDC, basic, 32 pts.)

Termination panel 9750-210 is compatible with 0-5 VDC analog input modules and has 32 current input terminals (IN+) and commoned return terminals (RTN).

The modules compatible with 9750-210 have 64 points, which means you must use two term panels for each analog input module. Each term panel comes with two sets of labels: 1-32 and 33-64. For information on how to apply the labels, see [Appendix F, Panel Labels](#).

### Specifications

This table describes specifications for 9750-210.

**Table 115 Specifications for Term Panel 9750-210**

Feature	Description
Panel type	Current input, basic
Points	32

### Compatible Modules

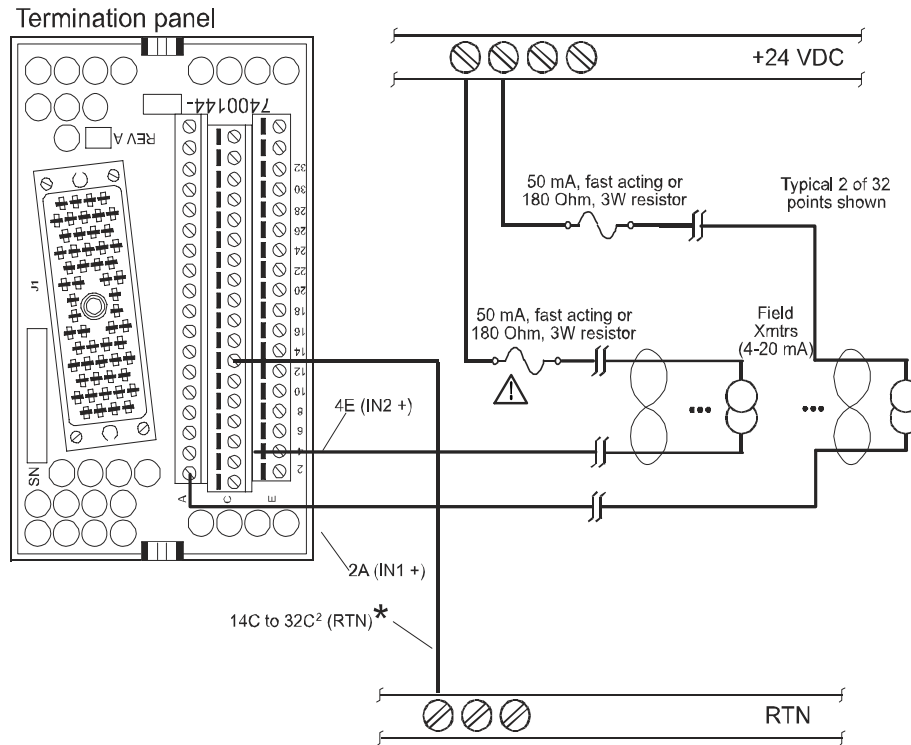
This table describes analog input modules compatible with 9750-210.

**Table 116 Modules Compatible with 9750-210**

Module Part Number	Points per Module	Module Description
3704E	64	0-5 VDC or 0-10 VDC (Use TriStation to configure for 0-5 VDC), commoned, high-density, DC-coupled, TMR
3720	64	0-5 VDC, single-ended, high-density, TMR

## Field Wiring Diagrams

This figure illustrates how to connect a 64-point analog input module and a 9750-210 to the field (1 of 64 module points shown).



\* One RTN connection is required. More than one is okay.

**Figure 150** Field Wiring for 9750-210 with a 3704E or 3720 AI Module

### Simplified Schematics

This is a simplified schematic of a typical 64-point analog input module with a basic current input panel (1 of 64 module points shown).

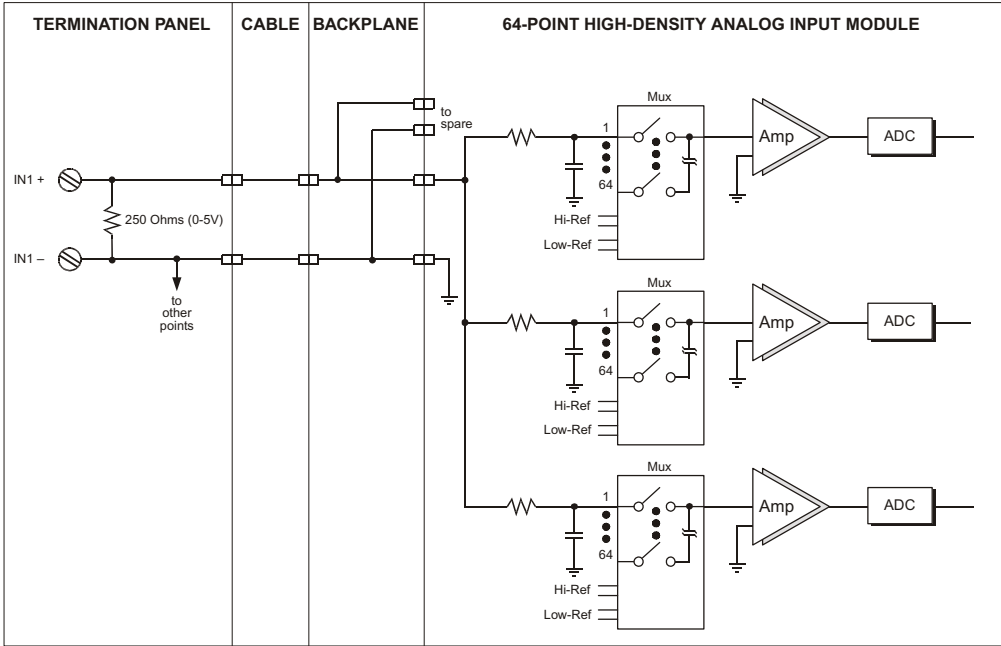


Figure 151 Simplified Schematic of a 3704E or 3720 AI Module with a 9750-210 Panel

### 9760-210 (current input, 0-5 VDC, 32 pts.)

Termination panel 9760–210 is compatible with 0–5 VDC analog input modules and has 32 power output terminals (+) and 32 current input terminals (-).

Each positive terminal is current-limited with a 180 Ohm series resistor. Each input has a precision 250 Ohm resistor for 0–5 VDC current-to-voltage conversion.

The panel supports redundant 24 VDC power sources with diode ORing.

The modules compatible with 9760–210 have 64 points, which means you must use two term panels for each analog input module. Each term panel comes with two sets of labels: 1-32 and 33-64. For information on how to apply the labels, see [Appendix F, Panel Labels](#).

### Specifications

This table describes specifications for 9760–210.

Table 117 Specifications for Term Panel 9760-210

Feature	Description
Panel type	Current input
Points	32

## Compatible Modules

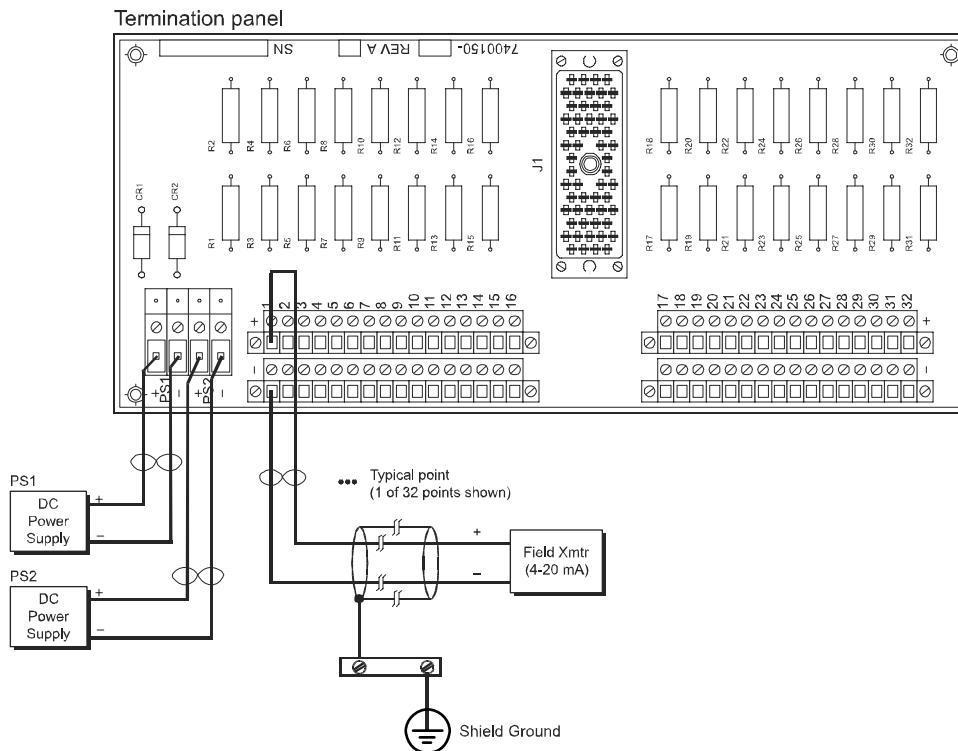
This table describes analog input modules compatible with 9760-210.

**Table 118 Modules Compatible with 9760-210**

Module Part Number	Points per Module	Module Description
3704E	64	0-5 VDC or 0-10 VDC (Use TriStation to configure for 0-5 VDC), commoned, high-density, DC-coupled, TMR
3720	64	0-5 VDC, single-ended, high-density, TMR

## Field Wiring Diagrams

This figure illustrates how to connect a 64-point analog input module and a 9760-210 to the field (1 of 64 module points shown). See [Appendix E, Shield Ground](#) for shield ground installation guidelines.



**Figure 152** Field Wiring for 9760-210 with a 3704E or 3720 AI Module

## Simplified Schematics

This is a simplified schematic of a typical 64-point analog input module with a current input panel (1 of 64 module points shown).

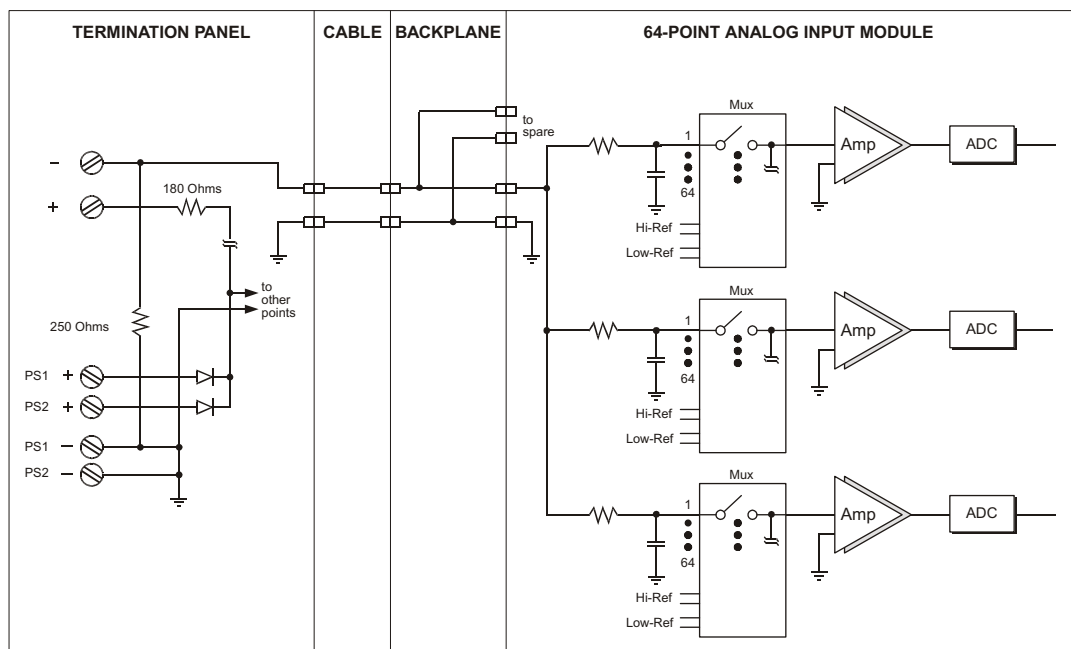


Figure 153 Simplified Schematic of a 3704E or 3720 AI Module with a 9760-210 Panel

## 9760-410 (current input, 0-10 VDC, 32 pts.)

Termination panel 9760-410 is compatible with 0-10 VDC analog input modules and has 32 power output terminals (+) and 32 current input terminals (-).

Each positive terminal is current-limited with a 180 Ohm series resistor. Each input has a precision 500 ohm resistor for 0-5 VDC current-to-voltage conversion.

The panel supports redundant 24 VDC power sources with diode ORing.

The modules compatible with 9760-410 have 64 points, which means you must use two term panels for each analog input module. Each term panel comes with two sets of labels: 1-32 and 33-64. For information on how to apply the labels, see [Appendix F, Panel Labels](#).

## Specifications

This table describes specifications for 9760-410.

Table 119 Specifications for Term Panel 9760-410

Feature	Description
Panel type	Current input
Points	32